

Adjustable Hand Levers

Zinc Die Casting, Insert Stainless Steel, for Shaft Collars

SPECIFICATION

Handle

Zinc die casting
Powder coated
Black, RAL 9005, textured finish **SW**

Insert

Stainless steel AISI 303

Retaining screw

Stainless steel AISI 304

INFORMATION

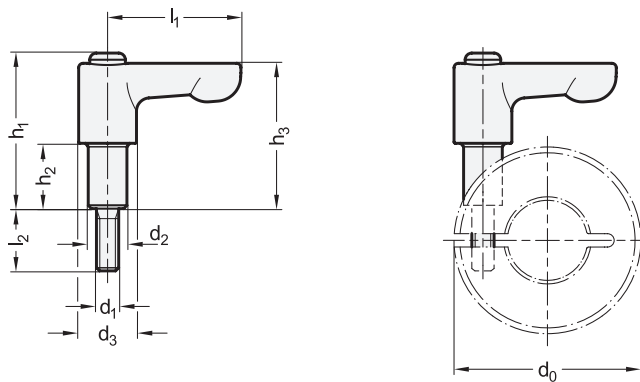
For shaft collars of the standard families GN 706... and GN 707... adjustable hand levers GN 311 replace the hex socket screw DIN 912. That allows the shaft collars to be adjusted easily and quickly without tools.

The table of dimensions of the shaft collars shows the corresponding hand lever for the respective shaft collar size d₁.

Semi-split shaft collars GN 706.2 (see page 954) including hand lever are available under GN 706.4 (see page 959).

TECHNICAL INFORMATION

- Stainless Steel Characteristics (see page A26)



GN 311

Description	d ₀ = Shaft collar Ø d ₁	l ₁	d ₁	h ₂	d ₂	d ₃	l ₂	h ₁	h ₃	⚖
GN 311-22-M3-7-SW	16	22	M 3	7	5.7	10.5	8	24	22	14
GN 311-22-M3-8-SW	20 / 22	22	M 3	8	5.7	10.5	10	24	22	14
GN 311-22-M4-9-SW	26	22	M 4	9	7.2	10.5	10	26	24	16
GN 311-30-M4-12-SW	30 / 32	30	M 4	12	7.2	13	12	32	30	29
GN 311-30-M5-13-SW	36	30	M 5	13	8.7	13	12	33.5	31	32
GN 311-30-M5-15-SW	42	30	M 5	15	8.7	13	14	35	33	32
GN 311-45-M5-16-SW	48	45	M 5	16	8.7	13	16	36.5	34	40
GN 311-45-M6-18-SW	55	45	M 6	18	10	13	16	38.5	36	45
GN 311-45-M6-19-SW	60	45	M 6	19	10	13	16	39.5	37	46
GN 311-45-M6-20-SW	65	45	M 6	20	10	13	18	40.5	38	47